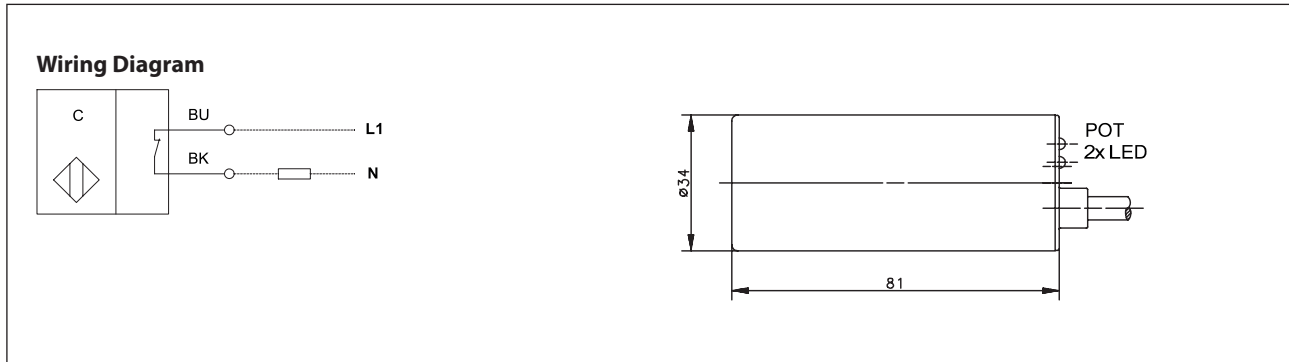


Capacitive Proximity Switch Series Ø34

Description **KCN-R34AÖ/030-LP2**

Article number **6508415001**



Identifying characteristics in accordance with EN 60947-5-2

Electrical data		
Rated operating distance	S_n	30 mm
Mounting		non flush
Standard target		3·Sn x 3·Sn x 1 mm; material: steel; connected to earth
Effective operating distance	S_r	6-30 mm; S_r adjustable via potentiometer (POT). Clockwise rotation increases sensitivity, Turning to the left reduces the sensitivity
Assured operating distance	S_a	$0 \leq S_a \leq 0,8 \cdot S_r$
Switching element function		N.C.
Repeat accuracy	R	$\leq 0,1 \cdot S_r$
Differential travel (hysteresis)	H	$\leq 0,2 \cdot S_r$
Frequency of operating cycles	f	> 15 Hz
Rate doperational voltage	U_e	24 V - 230 V AC
Operational voltage range	U_B	20 V - 250 V AC
Rated insulation voltage	U_i	250 V AC
Rated impulse withstand voltage	U_{imp}	1500 V
Voltage drop	U_d	≤ 10 V AC (effective value)
Utilization category		AC-140 (Switching element)
Rated operational current	I_e	≤ 300 mA DC
Minimum operational current	I_m	≥ 5 mA DC
Off-state current	I_r	≤ 3 mA DC
Rated supply frequency		AC 50 Hz - 60 Hz
False polarity protection		with permutation of +, -, output no damage occurs
Time delay before availability	t_v	≤ 300 ms

Mechanical Data	
Enclosure	PBT, red
End cap	PA6.6, black
Ambient air temperature	-25 °C ... +70 °C
Type of protection	IP67
Pollution degree	3 (Pollution of the optic can cause impairments of the operating distances.)
Indication	Power ON = LED green Output ON = LED yellow
Termination type	Cable 2 x 0,5 mm ² x 2 m, PVC-outer jacket black

EU Conformity	
acc. to directive 2014/30/EU (EMC-Directive)	